

# Product data sheet

## Characteristics

# 9070T500D14

Transformer, Type T, industrial control, 500 VA,  
208 VAC primary / 24 VAC secondary, 1 phase,  
50/60 Hz, 115 °C rise



Product availability: Non-Stock - Not normally stocked in distribution facility

Price\*: 471.00 USD



### Main

Product or component type	Industrial Control Transformer
Rated power in VA	500 VA
Range of product	T

### Complementary

Phase	1 phase
Rated power in VA	500 VA UL 500 VA CSA 500 VA NOM 300 VA
Temperature rise	115 °C
Electrical connection	Screw clamp terminals
Height	3.84 In (97.54 mm)
Width	4.5 In (114.30 mm)
Depth	5.49 In (139.45 mm)
Material	Copper winding
Product compatibility	FSC2

### Environment

Product certifications	CSA file LR37055 guide 184-N-90 UL listed file E61239
NEMA degree of protection	Not rated (open device)
Insulation temperature	356 °F (180 °C)

## Ordering and shipping details

Category	16206 - 9070 T (NOT TF) MTO
Discount Schedule	CP8
GTIN	00785901339625
Nbr. of units in pkg.	1
Package weight(Lbs)	11.70 Lb(US) (5.307 kg)
Returnability	No
Country of origin	US

## Packing Units

Unit Type of Package 1	PCE
Package 1 Height	6.00 In (15.24 cm)
Package 1 width	7.50 In (19.05 cm)
Package 1 Length	6.50 In (16.51 cm)

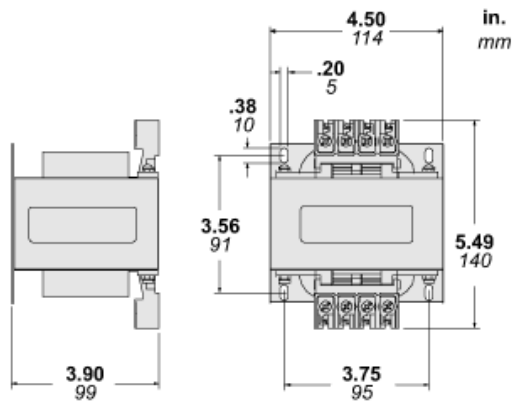
## Offer Sustainability

Sustainable offer status	Green Premium product
California proposition 65	WARNING: This product can expose you to chemicals including: Phenyl glycidyl ether, which is known to the State of California to cause cancer and birth defects or other reproductive harm. For more information go to <a href="http://www.P65Warnings.ca.gov">www.P65Warnings.ca.gov</a>
REACH Regulation	<a href="#">REACH Declaration</a>
EU RoHS Directive	Compliant <a href="#">EU RoHS Declaration</a>
Mercury free	Yes
RoHS exemption information	<a href="#">Yes</a>
China RoHS Regulation	<a href="#">China RoHS Declaration</a>
Environmental Disclosure	<a href="#">Product Environmental Profile</a>
PVC free	Yes

## Contractual warranty

Warranty	10 Years
----------	----------

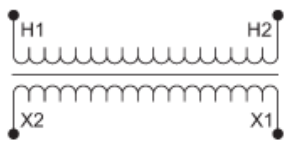
Approximate Dimensions



Connections and Wiring Diagrams

Voltage and Connection Options

Voltage Code	Voltages		Connections	
	Primary	Secondary	Primary	Secondary
D7	120	24	Connect to H1 and H2	Connect to X1 and X2
D14	208	24		
D16	600	24		
D25	277	24		
D88	380	24		
D112	230	24		



Product Life Status : **Commercialised**